



Cooking accessories Kit universal skewer rack and 4 long skewers

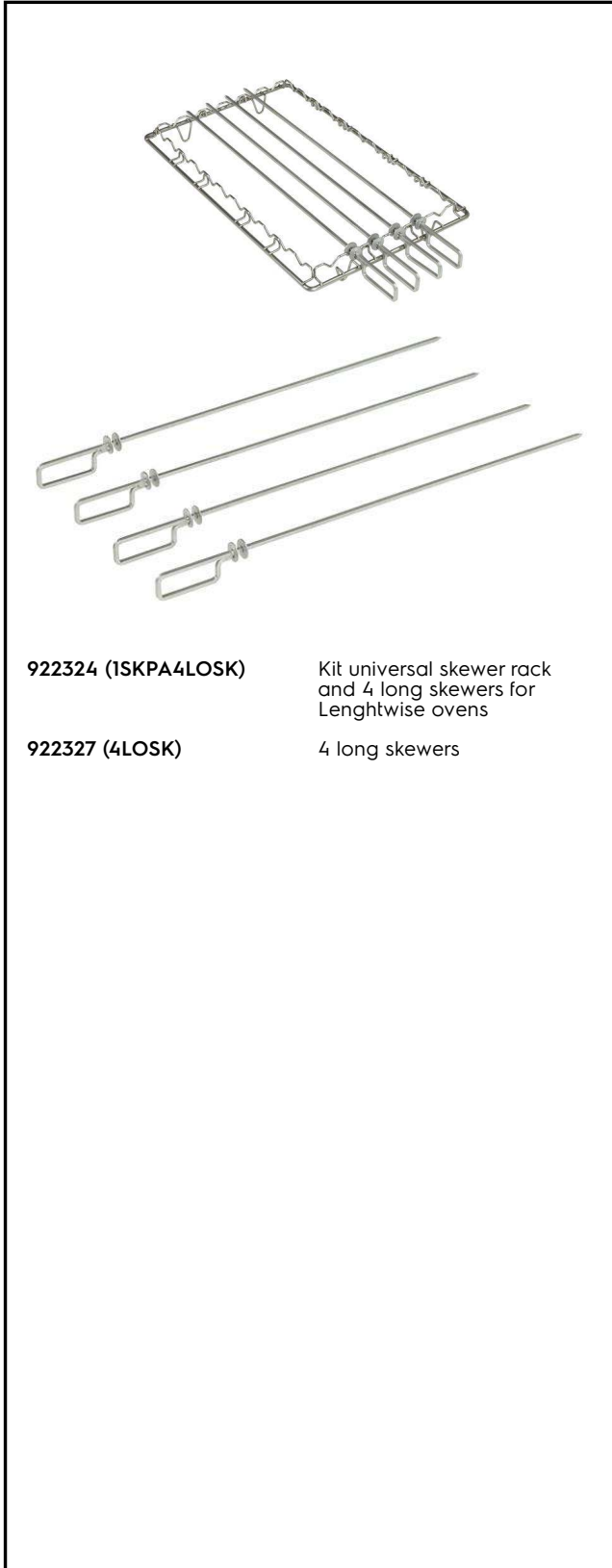
ITEM # _____

MODEL # _____

NAME # _____

SIS # _____

AIA # _____



Main Features

- Ideal for preparing all type of kebab, tandoor grill, churrasco, yakitori and any other kind of cooking using skewers (from meat to poultry, to fish, to vegetable and cheese).

Construction

- Constructed entirely in 304 AISI stainless steel.

APPROVAL: _____



Key Information:**External dimensions, Width:**

922324 (1SKPA4LOSK)	530 mm
922327 (4LOSK)	240 mm

External dimensions, Depth:

922324 (1SKPA4LOSK)	325 mm
922327 (4LOSK)	1 mm

External dimensions, Height:

922324 (1SKPA4LOSK)	55 mm
922327 (4LOSK)	615 mm

Net weight:

922324 (1SKPA4LOSK)	1.54 kg
922327 (4LOSK)	0.62 kg